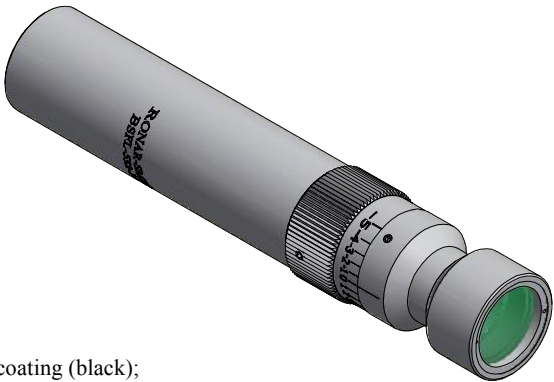
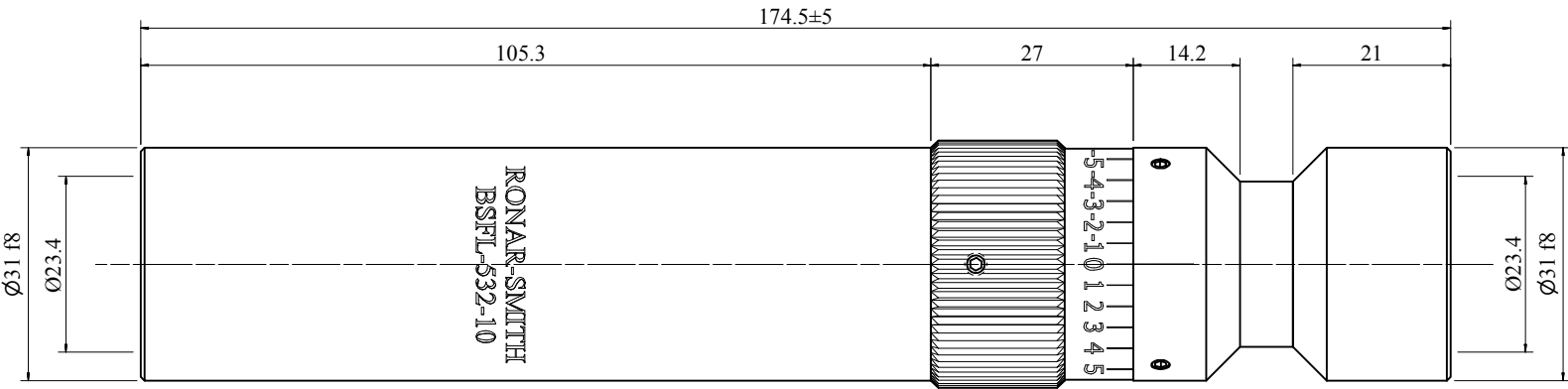


| REVISIONS | | | |
|-----------|------|-------------|-----|
| REV. | DATE | DESCRIPTION | APD |
| | | | |



Notes:

1. Coaxiality $\text{\textcircled{C}}$: $\text{\textcircled{O}}0.02\text{mm}$
2. Dimensional control is applied after hard anodized coating (black);
3. Remove all sharp edges by deburring before coating;

PROPRIETARY AND CONFIDENTIAL
 THE INFORMATION CONTAINED IN THIS DRAWING IS THE SOLE PROPERTY OF WAVELENGTH TECHNOLOGY PTE. LTD. ANY REPRODUCTION IN PART OR AS WHOLE WITHOUT THE WRITTEN PERMISSION OF WAVELENGTH TECHNOLOGY PTE. LTD IS PROHIBITED

| | | | | | |
|--|--|-------------|------|-------------------------------|--|
| TOLERANCES UNLESS SPECIFIED: $\pm 0.05\text{mm}$ | | NAME | DATE | Wavelength Opto-Electronic | |
| SURFACE: Black Anodize | | DRAWN | Amoy | | |
| MATERIAL: AL6061 | | CHECKED | | DWG. NO. | |
| UNIT: mm | | BSFL-532-10 | | S478 | |
| SCALE: | | | | REV. A | |
| | | | | SHEET: 1 OF 1 | |