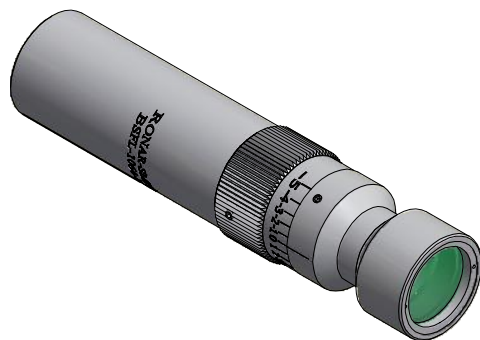
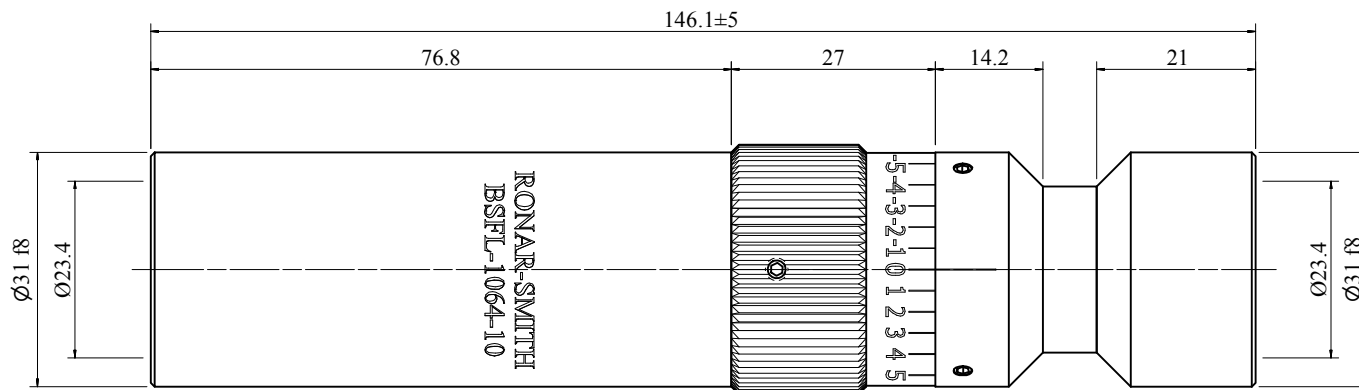


REVISIONS

REV.	DATE	DESCRIPTION	APD



Notes:

1. Coaxiality $\text{\textcircled{C}}$: $\text{\textcircled{O}}0.02\text{mm}$
2. Dimensional control is applied after hard anodized coating (black);
3. Remove all sharp edges by deburring before coating;

PROPRIETARY AND CONFIDENTIAL
 THE INFORMATION CONTAINED IN THIS DRAWING IS THE SOLE PROPERTY OF WAVELENGTH TECHNOLOGY PTE. LTD. ANY REPRODUCTION IN PART OR AS WHOLE WITHOUT THE WRITTEN PERMISSION OF WAVELENGTH TECHNOLOGY PTE. LTD IS PROHIBITED

TOLERANCES UNLESS SPECIFIED: $\pm 0.05\text{mm}$	DRAWN	NAME	DATE	Wavelength Opto-Electronic	
	CHECKED	Amoy	30-06-14		
SURFACE: Black Anodize	BSFL-1064-10			DWG. NO.	REV.
MATERIAL: AL6061				S477	A
UNIT: mm				SHEET: 1 OF 1	
SCALE:					